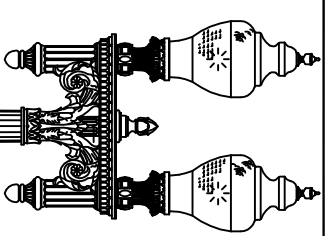


NOTE 1: WHEN ASPHALT OVERLAYS BRICK, REPLACE CONCRETE BASE COURSE TO THE TOP OF THE EX. BRICK. FINISH FACE OF CURB TO THE TOP OF BRICK ELEVATION. PLACE EXPANSION JOINT BETWEEN CONC. ROAD BASE AND CURB. CITY REPLACES ASPHALT SURFACE ON PERMITTED PRIVATE PROJECTS ONLY.

NOTE 2: FOR SLIP FORM CONSTRUCTION USING CITY STD. 30 OR ODOT TYPE 6 CURB, USE 9 IN. #3 DOWELS 3 IN INTO CURB AND EXTENDING 6 IN. INTO CONC. WALK, SPACED 2 FT ON CENTER IN LIEU OF MESH. SEE CITY STANDARD DRAWING 29, TYPE A, FOR DETAIL.



INSTALL POLE WITH FLAGPOLE HOLDER FACING AND PERPENDICULAR TO THE ROADWAY AND THE LUMINAIRES IN-LINE WITH AND PARALLEL TO THE ROADWAY. POLE AND LUMINAIRES ARE SHOWN IN THIS DRAWING 90° FROM TYPICAL POSITION.

4X8 BRICK PAVER, 2 1/4" THICK - PAWNEE PAVER BY BELDEN BRICK - TERRA COTTA RANGE EXCLUDED. USE PERPENDICULAR HERRINGBONE PATTERN.

SWEEP JOINTS WITH DRY MIXTURE OF POLYMERIC SAND Techni-Seal OR APPROVED EQUAL. USE PLATE TAMPER WITH RUBBER MAT OR OTHER PROTECTION FOR BRICK. REMOVE EXCESS AND MOISTEN TO SET JOINT SEALANT SAND.

1" MAX COMPACTED CONCRETE SAND ODOT 703.02

USE INTERIOR FORMING PINS FOR WEEP HOLES ON DOWNSLOPE SIDES AND INTERIOR CORNERS. ~~ASTM C1329~~ ~~CONCRETE SAND~~ ~~COVER W/ FILTER FABRIC.~~

CONCRETE WALKS AND PAVER BASE IS TO BE CLASS "C" ODOT 608. NO EXPANSION JOINTS ARE TO BE PLACED AGAINST BRICK PAVER SECTIONS. MAX 1/4" SPACE BETWEEN BRICK AND CONCRETE.

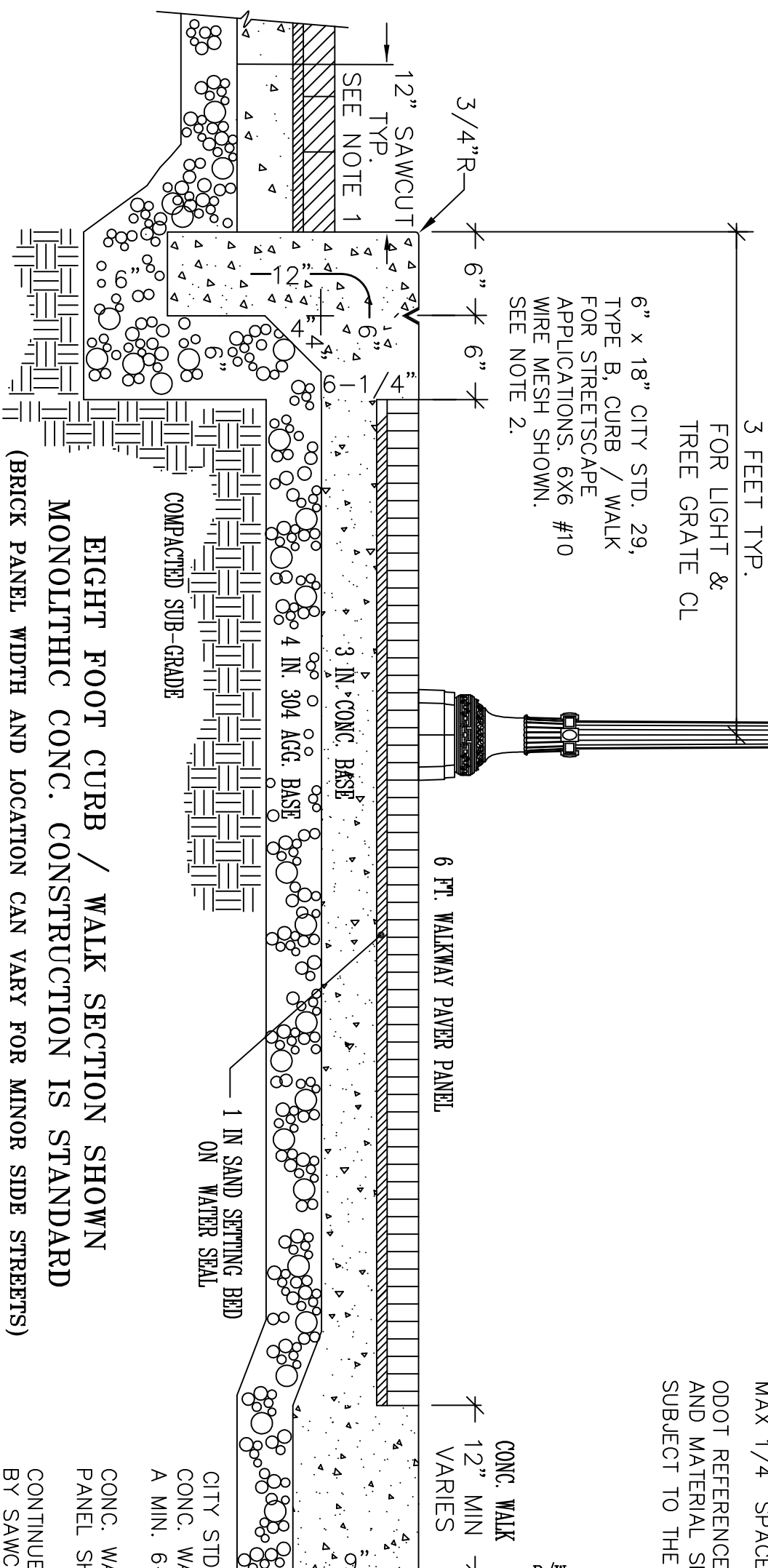
ODOT REFERENCES ARE FROM THE CURRENT ODOT CONSTRUCTION AND MATERIAL SPECIFICATIONS. ANY DISCREPANCIES SHALL BE SUBJECT TO THE CITY ENGINEER'S DISCRETION.

CONCRETE WALK EXPANSION JOINT - 1/2" CLOSED CELL EXPANSION JOINT FILLER TO BE SEALTIGHT CERAMAR WITH 1/2" PEEL STRIP OR EQUAL. PLACE EXP. JOINTS AGAINST BUILDINGS, STRUCTURAL FOUNDATIONS, AND 60FT O.C. IN WALK, TYP. SEAL EXPANSION JOINTS WITH POLYURETHANE ELASTOMERIC SEALANT TREMCO THC 900/901 OR EQUAL.

TYPICAL TOOLED AND CUT CONTROL JOINT, 1/4 DEPTH OF SLAB

CITY STD. CONC. WALK (COMMERCIAL) IS 5 IN. THICK. CONC. WALK WITHIN 6 IN. OF BRICK PANEL SHALL BE A MIN. 6-1/4" THICK.

CONC. WALK WITHIN 12 IN. OF R/W AND NEXT TO BRICK PANEL SHALL BE A MIN. 9 IN. THICK.
CONTINUE TRANSVERSE WALK CONTROL JOINTS BY SAWCUTTING ACROSS BRICK CONC. BASE.



6" x 18" CITY STD. 29, TYPE B, CURB / WALK FOR STREETSCAPE APPLICATIONS. 6X6 #10 WIRE MESH SHOWN. SEE NOTE 2.

3 FEET TYP. FOR LIGHT & TREE GRATE CL

6 FT. WALKWAY PAVER PANEL

CONC. WALK 12" MIN VARIES

COMPACTED SUB-GRADE

1 IN SAND SETTING BED ON WATER SEAL

EIGHT FOOT CURB / WALK SECTION SHOWN
MONOLITHIC CONC. CONSTRUCTION IS STANDARD
(BRICK PANEL WIDTH AND LOCATION CAN VARY FOR MINOR SIDE STREETS)



OFFICE OF THE CITY ENGINEER
CANTON, OHIO

DANIEL J. MOEGLIN, P.E., CITY ENGINEER
2436 30th St. NE 44705 330-489-3381
www.cantonohio.gov/engineering

APPROVED DATE: FEB. 2012

APPROVED BY: JTD

DRAWING FILE NAME:
ce_40-47_STREETSCAPE.dwg

REVISIONS

DESCRIPTION	DATE	BY
REVISED JOINT NOTES AND BRICK BOX.	2/26/2019	RMB

STANDARD DRAWING NO. 40

TYPICAL STREETSCAPE

CORRIDOR

SHEET 1 OF 1